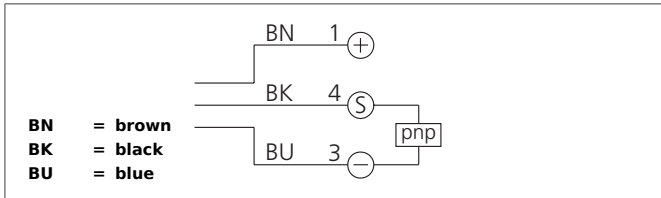


MZES 25 PSL

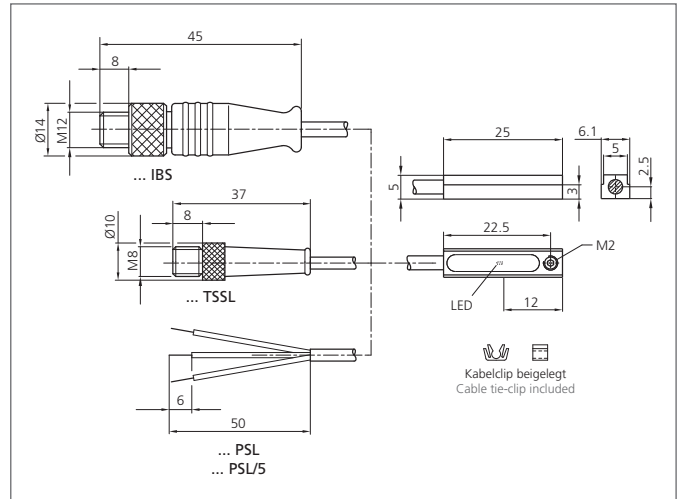
Sensor for Gripper Systems

- Special magnet field for use on gripping tongs with T-shaped slot
- Short design
- All-electronically
- Fully encapsulated electronic circuitry, vibration-resistant
- High reproducibility
- High protection class



Safety instructions

The Instruments are not to be used for safety applications, in particular applications in which safety of persons depends on proper operation of the instruments.
 These instruments shall exclusively be used by qualified personnel.



TECHNICAL INFORMATION (typ.)		+20°C, 24V DC
Cylinder groove		T-groove
Mounting		allen screw SW 1.5 mm
Maximum rating		100 mA, not short-circuit-proof, polarity-safe
Service voltage		10 ... 30 V DC
Internal power consumption		< 12 mA
Switching output		pnp, NO
Contact rating		3 W max. (30 V, 100 mA)
Display		LED: yellow - output signal
Voltage drop		< 2,0 V
Switching frequency		1.000 Hz
Reproducibility		< 0,1 mm
Ambient temperature		-25 ... +70 °C
Insulation voltage endurance		500 V
Protection class		IP 68, (Device and cable), IP 67, (Connector)
Protection degree		III, operation on protective low voltage
Casing material		Die-cast zinc
Connection		cable PUR, flying leads, 2.5 m